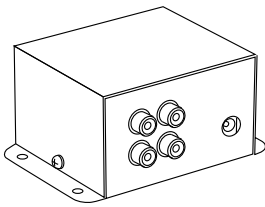


User Manual

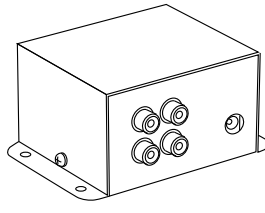
HDTV Cat 5 Extender

Video and Audio Over One Cat 5 Cable

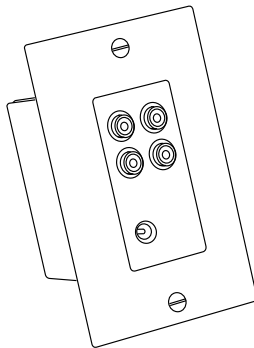
Model SCP-11 and SCP-11D



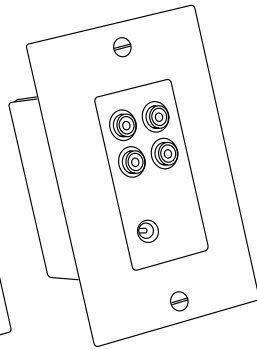
Model 1180T Transmitter



Model 1180R Receiver



Model 1180TD Transmitter



Model 1180RD Receiver

Audio  Authority[®]



WARNINGS

- Read these instructions before installing or using this product.
- To reduce the risk of fire or electric shock, do not expose this unit to rain or moisture.
- This product must be installed by qualified personnel.
- Do not open the cover—there are no user-serviceable parts inside.
- Do not expose this unit to excessive heat.
- Install only in dry, indoor locations.
- Clean the unit only with a dry or slightly dampened soft cloth.

LIABILITY STATEMENT

Every effort has been made to ensure that this product is free of defects. Audio Authority cannot be held liable for the use of this hardware or any direct or indirect consequential damages arising from its use. It is the responsibility of the user of the hardware to check that it is suitable for his/her requirements and that it is installed correctly. All rights are reserved. No parts of this manual may be reproduced or transmitted by any form or means electronic or mechanical, including photocopying, recording or by any information storage or retrieval system without the written consent of the publisher.

Audio Authority reserves the right to revise any of its hardware and software following its policy to modify and/or improve its products where necessary or desirable.

Audio Authority and the Double-A Symbol are registered trademarks of Audio Authority Corp. Copyright March, 2009. All third party trademarks and copyrights are recognized.



Model SCP-11 and SCP-11D

HDTV Cat 5 Extenders

TABLE OF CONTENTS

1.0	Introduction	4
2.0	Checking Package Contents	4
3.0	Installation	5
4.0	Adapting Dual Cat 5 Systems Using Model 1110.	8
5.0	Getting the Best Results	9
6.0	Troubleshooting	9
7.0	Limited Warranty	10
8.0	Specifications	11
9.0	Regulatory Compliance	11
10.0	Contact Information	11

1.0 INTRODUCTION

Thank you for purchasing this HDTV Cat 5 Extender from Audio Authority. The SCP-11 system incorporates the signal paths necessary for premium audio and video distribution over just one inexpensive, easy to install Cat 5e/6 cable. Each Cat 5 transmitter is capable of distributing HDTV signals to one or two receivers located up to 1,000 feet from the source. The Cat 5 receivers can be powered from the transmitter through the Cat 5 cable in most applications*. 1180 Series products are manufactured in the USA, in Audio Authority's Lexington, KY factory.

The SCP-11 systems apply Audio Authority's leading AGE (Active Gain Equalization) technology to a single Cat 5 system suitable for transmitting 1080p component video and digital coaxial audio up to 1,000 feet. Our Active Gain Equalization technology allows adjustable compensation for any cable length up to 1,000 feet from the source. The adjustment is made at the remote end so that the installer can fine tune the results while viewing the results on the HDTV. Like our commercial video distribution products, the SCP-11 provides reliable ground isolation, preventing hum bars and other artifacts associated with ground loops.

Audio Authority offers an extensive line of audio and video switchers, converters, distribution amps, and extenders available for purchase online at www.audioauthority.com or through authorized dealers.

1.1 FEATURES

- Up to 1080p component video (YPbPr)
- Supports digital surround formats over coaxial digital audio
- Receiver powered through Cat 5 cable up to 700 feet*
- Each transmitter is capable of feeding two receivers
- Single-gang wallplate includes three Decora color inserts
- 1180T or 1180TD may be used with 1180R and/or 1180RD
- Receivers can be used with AVAtrix systems (requires Model 1110 adapter)

* At distances under 700 feet, the Cat 5 receivers need no external power supplies - they receive power from the transmitter unit over Cat 5. Power supply (571-014) required for >700 ft.. distances.

2.0 CHECKING PACKAGE CONTENTS

Before connecting the system, please make certain the following items are in the shipping carton:

- One transmitter and/or one receiver
- 18V DC power adapter
- User manual

Note: Please retain the original packing material in case you need to return the unit. If you find any items are missing, contact Audio Authority immediately. Have the model number and invoice available for reference when you call.

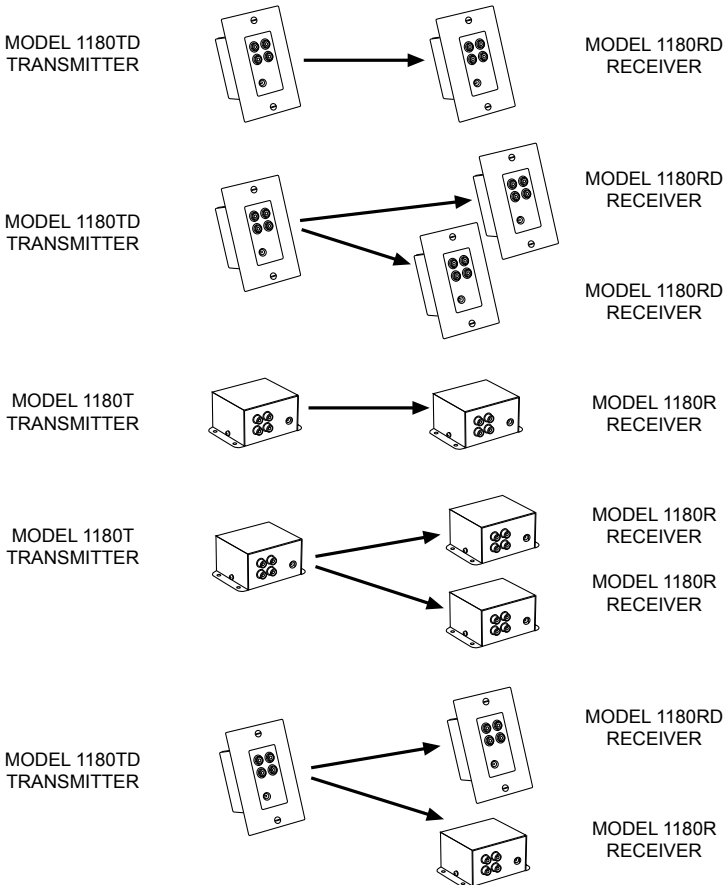
3.0 INSTALLATION

While the SCP-11 is ideal for new construction or an existing home, it does require special knowledge and tools to install. We suggest you contact a local custom home installation specialist. Many installation specialists are members of the Custom Electronic Design & Installation Association and can be located through the CEDIA website: www.cedia.org.

3.1 SYSTEM DESIGN

The SCP-11 system is comprised of the Model 1180T or 1180TD Cat 5 Transmitter and a Cat 5 Receiver, such as the Model 1180R or 1180RD. The surface mount and decora versions of these products are electrically identical, so this manual will refer only to the 1180T and 1180R or “transmitter” and “receiver”.

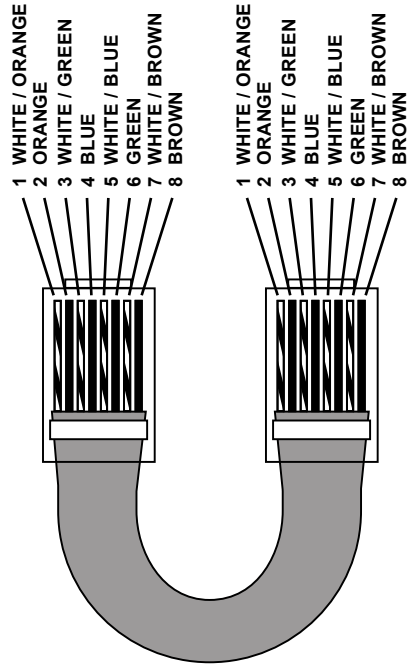
These products can be used in several different configurations, some of which are shown below. Either transmitter can be used with one or two receivers of either type. For applications under 700 feet, DC power for the receiver is supplied through the Cat 5 cable from the transmitter’s power supply. For applications over 700 feet, a power supply may be required at the receiver end.



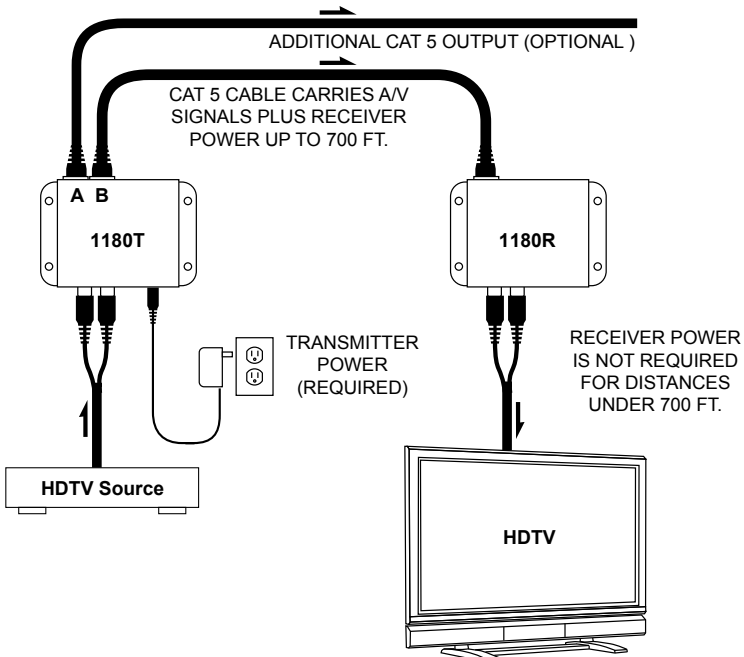
3.2 ROUGH-IN AND WIRING

The Cat 5 receiver is usually placed in or on the wall or ceiling behind a television display or near a projector that is remotely located from the main home entertainment system where the transmitter is located. To assure service access, it is recommended that a two-gang plaster ring be provided for an 1180R receiver if mounted inside a wall.

Pull good quality Category 5e or 6 UTP cable from the driver location to the receiver location. Be careful not to pinch, kink, or tightly staple the cable. It will be helpful to note the cable length of the run because you will have to adjust the cable length compensation when installing the Cat 5 Receiver. Install an RJ-45 plug on each end of the Cat 5 cables, using EIA-568 pairing (pins 1-2, 3-6, 4-5, 7-8). **Check the cable with a professional network cable tester that verifies conductor pairs.**



EIA-568B STANDARD TERMINATION

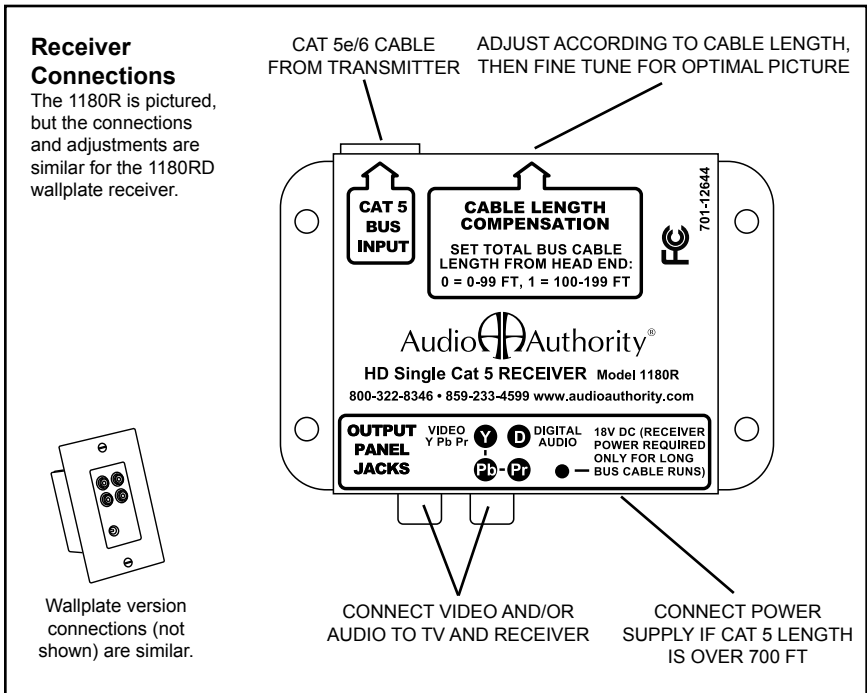




WARNING: continuity testing is not adequate; the twisted pairs must be placed in precise order in the connector, or damage to the equipment may occur.

3.3 INSTALLING THE CAT 5 RECEIVER(S)

- Plug the Cat 5 cables into the 1180R or 1180RD.
- Adjust the cable length compensation if the cable between the transmitter and receiver is over 100 feet long. Set the compensation at 1 for cables 100-199 ft.. long, and 2 for 200-299 ft.. cables, etc.
- Connect the display or projector to the Cat 5 receiver using a high quality audio patch cord and component video cables.

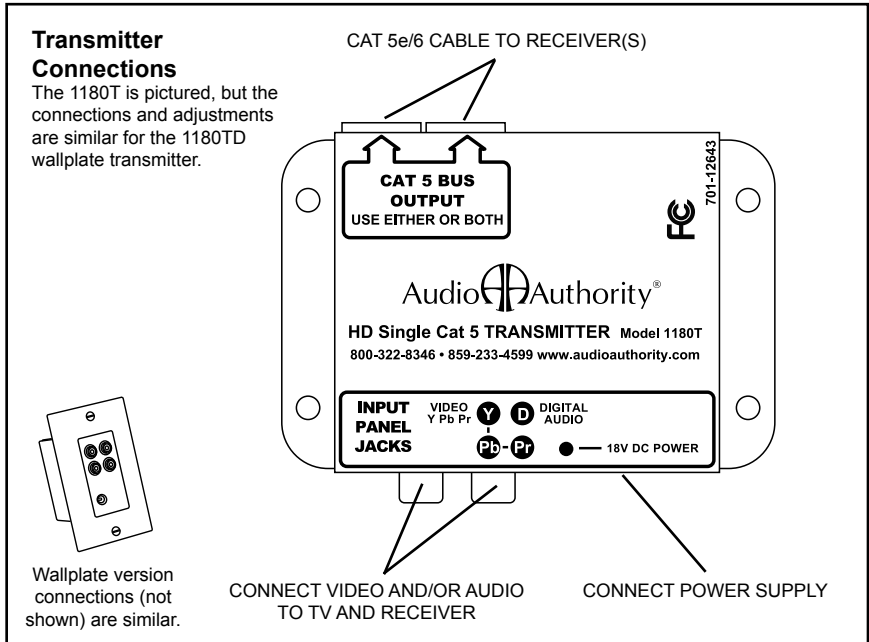


3.4 CABLE LENGTH COMPENSATION

After connecting the entire system, you may wish to adjust the cable length compensation to optimize the setting. Use the MINIMUM compensation setting that still provides the best picture. It is ideal to make adjustments using the actual source and TV intended for the location. Normally, the transmitter and receiver are located near their respective source and TV, but if long RCA cables must be used, compensate for this additional loss by increasing the cable compensation setting one click for each 200 feet of coaxial cable length.

3.4 INSTALLING THE CAT 5 TRANSMITTER

- Mount the 1180T or 1180TD Transmitter and connect component video and audio cables from the source equipment to the inputs of the Transmitter.
- Plug the Cat 5 cable into an output jack on the Transmitter (either or both may be used), and power up the A/V equipment connected at each end.
- Power the SCP-11 system (install a receiver power supply if the Cat 5 cable is over 700 feet long).
- Fine tune the cable length compensation at receiver location(s) to optimize picture quality.

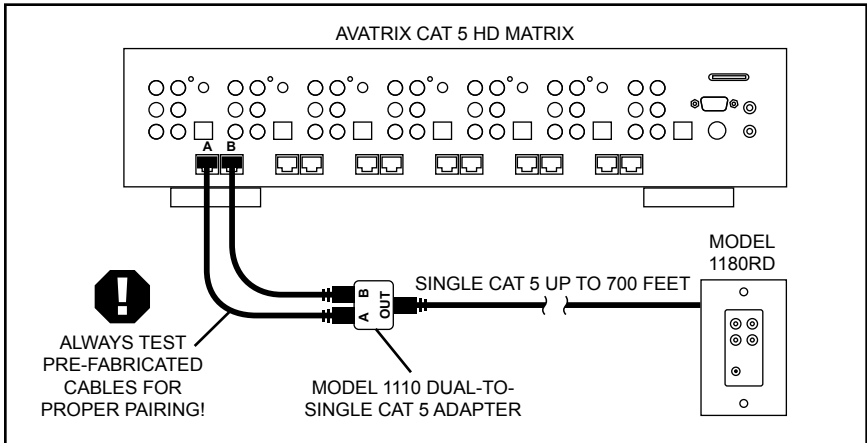


4.0 ADAPTING DUAL CAT 5 SYSTEMS USING MODEL 1110

Model 1180R and 1180RD may be used with the AVatrix or other compatible Audio Authority two-wire Cat 5 systems such as the SixDrive and DuoDrive. The Model 1110 adapter must be used to connect each dual Cat 5 output to each single Cat 5 receiver.

- The 1110 routes the YPbPr and digital audio signal pathways to the correct Cat 5 pairs for the receiver, but does not pass analog audio.
- The 1110 outputs IR signals to a separate 3.5 mm jack.
- Power is also delivered to the receiver through the 1110, but remember that cable lengths over 700 feet still require power at the receiver end.
- Always test Cat 5 cables before powering the system – even pre-fabricated cables should be tested for proper pairing – continuity testing is not adequate!

Below is an example of an AVatrix system with a Model 1180RD. The single Cat 5 receivers may be used in the same system with dual-Cat 5 receivers.



5.0 GETTING THE BEST RESULTS

- **Output display device.** The quality of the output signal depends largely upon the type and quality of display device used. For instance, some standard definition TVs have better picture quality than others. On the other hand, some HD satellite or cable feeds carry heavily compressed video material that may not look as good as a composite video source on the same TV.
- **Distance between the SCP-11 and the display device.** Long distances are possible, but use high quality coaxial cable to avoid signal losses. Use good quality RG-59, for long distance runs.
- **Interference.** Nearby electrical devices can have an adverse effect on signal quality. For example, older computer monitors often emit electromagnetic fields that can interfere with the performance of nearby video equipment.

6.0 TROUBLESHOOTING GUIDE

- Check the SCP-11 power LEDs, and make certain the transmitter AC adapter is plugged in to a working AC outlet.
- Connect an AC adapter to the receiver in long distance applications.
- Use a network cable tester to verify EIA-568B pairing in all Cat 5e/6 cables.
- Check the input and output cables for loose connections, and inspect the cables for damage, and/or substitute a known good cable.
- Adjust the Cable Length Compensation on the Receiver. Keep in mind that a low setting may yield the best results.

If problems persist, contact the Audio Authority Technical Service department via email: support@audioauthority.com, or call 800-322-8346 or 859-233-4599.

7.0 LIMITED WARRANTY

If any consumer product from Audio Authority fails due to defects in materials or workmanship within one year from the date of the original sale to the end-user, Audio Authority guarantees that we will replace the defective product at no cost. Freight charges for the replacement unit will be paid by Audio Authority (ground service only). A copy of the invoice showing the item number and date of purchase (proof-of-purchase) must be submitted with the defective unit to constitute a valid in-warranty claim.

Units that fail after the warranty period has expired may be returned to the factory for repair at a nominal charge, if not damaged beyond the point of repair. All freight charges for out-of-warranty returns for repair are the responsibility of the customer. Units returned for repair must have a Return Authorization Number assigned by the factory.

This is a limited warranty and is not applicable for products which, in our opinion, have been damaged, altered, abused, misused, or improperly installed. Audio Authority makes no other warranties either expressed or implied, including limitation warranties as to merchantability or fitness for a particular purpose. Additionally, there are no allowances or credits available for service work or installation performed in the field by the end user.

7.1 WARRANTY SERVICE PROCEDURES

If you suspect a product defect, contact Audio Authority's Technical Service Department at 800-322-8346 or 859-233-4599 for assistance in verifying the problem. If a defect or potential defect is suspected, a replacement unit will be shipped immediately on a defect-exchange basis and a Return Authorization Number will be issued for the return of the defective product. Replacement units are sent out at the Manufacturer's Suggested Retail Price which is debited to the Customer's Credit Card at the time of shipment. Once we receive the defective unit back at the factory, it will be evaluated under the conditions of this warranty and if found to be in-warranty, a full credit will be issued to the Customer's Credit Card. Return freight charges for the defective unit are the customer's responsibility. Please contact our Technical Support Department for complete details concerning all in and out of warranty service matters.

We appreciate your confidence in our products and services and will always strive to meet or exceed your needs.

8.0 SPECIFICATIONS

Video Signal Type	Component (YPbPr)
Video Resolutions/Formats	480i/p, 540i/p, 720p, 1080i/p
Input/Output Impedance	75 ohms
Input Ground Isolation	Yes
Gain	1
Gain Accuracy	3%
3dB Bandwidth	120MHz
Input Coupling	AC
S/N Ratio	35dB
Max Gain/Equalization	40dB equalization
Audio Format	Digital
Digital Input/Output Type	Coaxial
Input Impedance	75 ohms
Min Load Impedance	75 ohms
Multi-channel Digital	Yes
Agency Approvals	FCC
DC Input Connector	5.5 X 2.1mm
DC Input Voltage/Polarity	18V/Center positive
Max DC Input Current	400mA
Warranty	One year, parts and labor
Accessories Included	571-014 power supply
Model 1180T Size	1.75 x 3.75 x 3 (H-W-D, inches)
Model 1180R Size	1.75 x 3.75 x 3 (H-W-D, inches)
Model 1180TD Size	4 x 1.6 x 2.75 (without trim cover)
Model 1180RD Size	4 x 1.6 x 2.75 (without trim cover)

9.0 REGULATORY COMPLIANCE

The SCP-11 has been tested for compliance with FCC rules and regulations. The power supply included has been tested for compliance with UL, CUL, CE, PSE, and GS regulations and guidelines and is RoHS compliant.

10.0 CONTACT INFORMATION

If you have questions or require assistance with this product in areas not covered by this manual, please contact Audio Authority using the information below.

Audio Authority Technical Support
800-322-8346 M-F 8:30 AM to 5:00 PM, EST
International: 859-233-4599 Fax: 859-233-4510
Send email to: support@audioauthority.com

Audio Authority Corporation
2048 Mercer Road
Lexington, Kentucky 40511-1071
USA



2048 Mercer Road, Lexington, Kentucky 40511-1071

Phone: 859-233-4599 • Fax: 859-233-4510

Customer Toll-Free USA & Canada: 800-322-8346

www.audioauthority.com