

Power Supply Instructions

Models 805-016 (3A) 805-022 (3A) and 805-025 (10A)

Installation

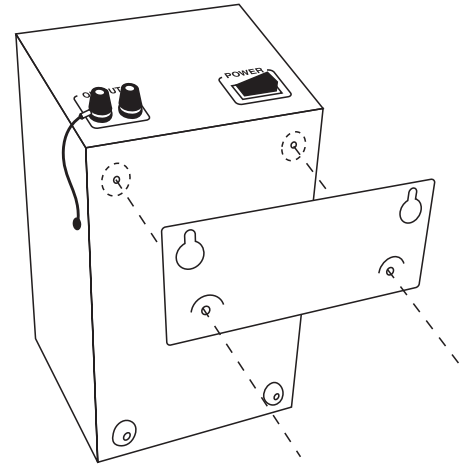
These power supplies are filtered and regulated at 13.8 volts DC. They are particularly suited for audio/video applications in indoor environments.

The Wall Mounting Bracket

If mounting on a wall or other vertical surface is desired, remove the two rubber feet closest to the output terminals and use the screws to install the mounting bracket in the holes where the feet were attached. Use the two larger screws provided to hang the power supply on a vertical surface such as wood or metal. Metal anchors will be required if the supply is to be mounted on a drywall surface.

Grounding

Equipment powered by this supply receives an earth ground through the wire connecting the black negative output terminal and the chassis, which is earth grounded through its power cord.



2048 Mercer Road, Lexington, Kentucky 40511-1071
Phone: 859/233-4599 • Fax: 859/233-4510
Customer Toll-Free USA & Canada: 800/322-8346
Website: <http://www.audioauthority.com>

752-240
2/02