

Using the Model 90 Modular Selector

The Audio Authority® Model 90 provides a convenient solution for demonstrating and switching small shelf-top products. When equipped with the appropriate AccessEZ™ expansion modules, the Model 90 can compare four of virtually any electronic product. If product capacity of eight or more is required, two or more Model 90 units can be combined to form a more complex switching network.

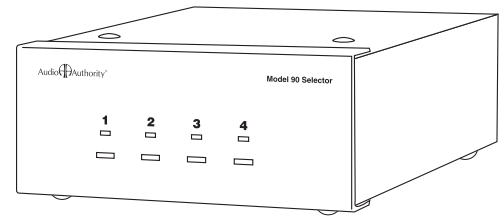


Figure 1.

Applications

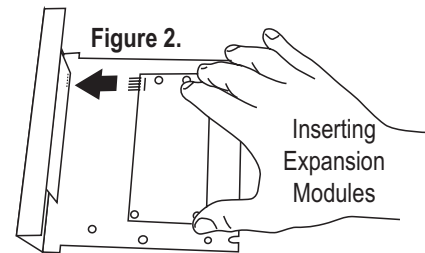
The following applications illustrate the scope of the Model 90's capability for product demonstration:

<i>AccessEZ™ Module(s)</i>	<i>Application</i>
920X	CD and tape players or line-level subwoofers
920X + 940X	Stereo receivers and amplifiers
920X + 960X	S-video sources such as DVD players and satellite receivers
933X	Personal stereos, mini speakers, headphones
940X	Front stereo speakers, telephones
940X + 940X	Center and rear speakers
950X	Audio/video sources such as DVD, VCR and laserdisc players
960X	S-VHS or (S-video)
965X	RF sources such as VCRs
2961	Provides TheftAlert™ protection when added to a 920X or 950X.

Assembly (Some Required)

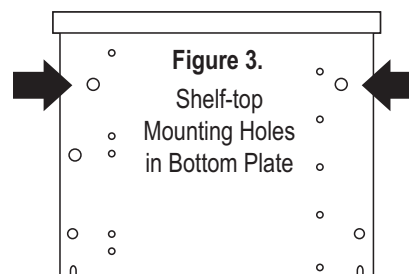
Remove the top cover of the Model 90 by pulling it toward the rear. After loading the Model 90 and connecting products, push the cover back on.

The Model 90 comes with its own wall power pack and assembly hardware. AccessEZ switching expansion modules must be purchased separately. To load switching expansion modules in the Model 90's chassis, remove the black protective sleeve from the 5-pin headers extending from the edges of the modules. Plug the first module into the hidden 5-pin receptacle in the printed circuit board at the front of the module compartment (Figure 2). Secure it to the floor of the compartment with four of the self-tapping screws supplied. Tighten the screws just enough to prevent rattles. When correctly tightened, the screws will protrude very slightly from the bottom of the chassis. Add a second module if desired, plugging it into the first module and securing it to the base plate with screws.

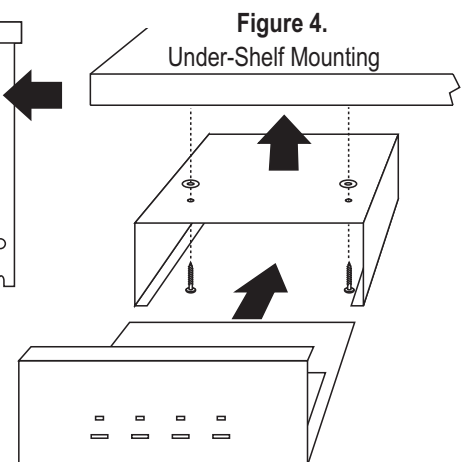


Mounting

The Model 90 may be set on a shelf, or permanently mounted to the top or bottom of a shelf with screws. Apply the four self-adhesive feet about 1/4 inch from the corners of the bottom surface if the Model 90 is to be set on a shelf.

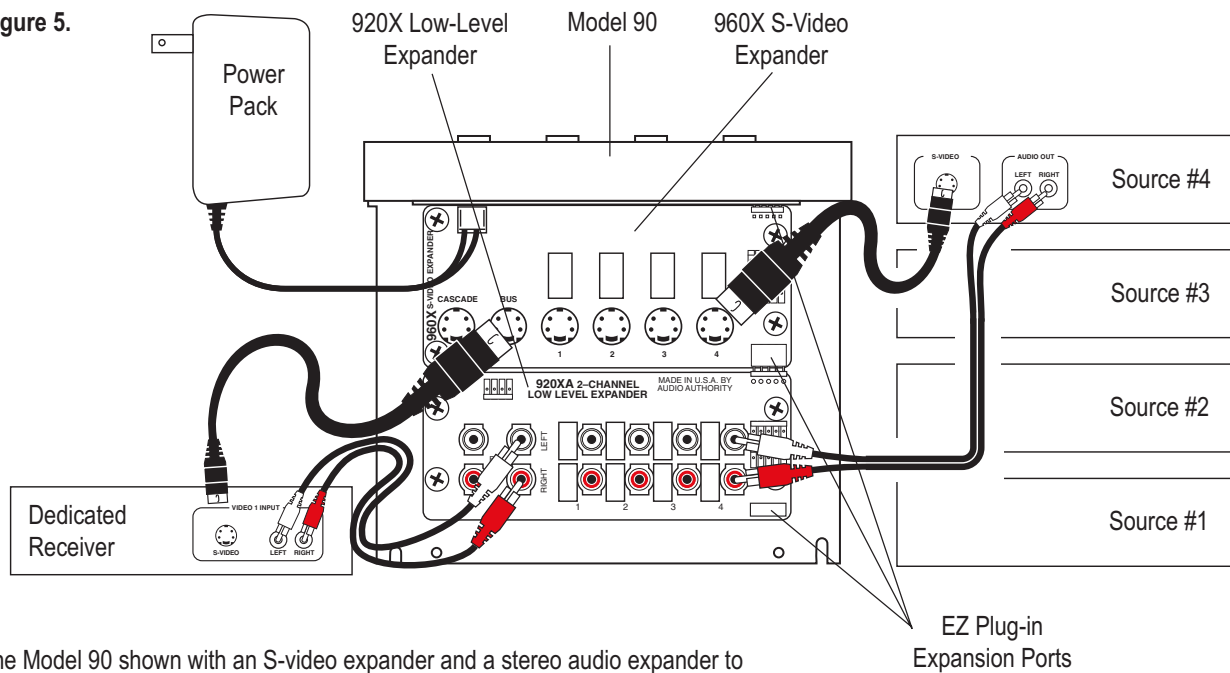


Secure the unit to the top of a shelf with the two wood screws provided (do not use the adhesive feet with mounting screws). Place one of the provided plastic washers under each of the large holes (Figure 3) in the bottom plate of the Model 90, then drive a wood screw through the plate and each washer into the shelf. Replace the top cover.



To mount the Model 90 under a shelf, pop out the hole plugs in the top cover, place plastic washers in the holes and drive a wood screw through each one into the shelf. Load and connect the bottom plate as described below and push it into the pre-mounted top cover (Figure 4).

Figure 5.



The Model 90 shown with an S-video expander and a stereo audio expander to demonstrate video sources. Any expander or combination of two expanders can be used.

Product Hookup

Plug the products to be demonstrated into product ports 1 through 4 on the switching module(s). Plug the associated system into the Bus ports on the modules. For example, (Figure 5) if the Model 90 is demonstrating S-video sources using a combination of 920X and 960X, plug the audio and video outputs of video player number 1 into product port 1 of the 920X and 960X, respectively, using a stereo RCA patch cord and S-video cord. Plug the Video 1 inputs of a receiver into the Bus ports of the 920X and 960X. Plug the output cord of the supplied wall power pack into either of the 4-pin headers at the front of the module compartment and plug the power pack into a wall outlet.

Touch one of the Model 90's buttons to select a product.

Contact your Audio Authority Account Representative for details about connecting Model 90s together to make more complex demonstration systems.

If you have any questions about installing, connecting or using this product, please call Audio Authority at 800-322-8346.



2048 Mercer Road, Lexington, Kentucky 40511-1071
Phone: 859-233-4599 • Fax: 859-233-4510
Customer Toll-Free USA & Canada: 800-322-8346
Website: <http://www.audioauthority.com>

752-278
11-01