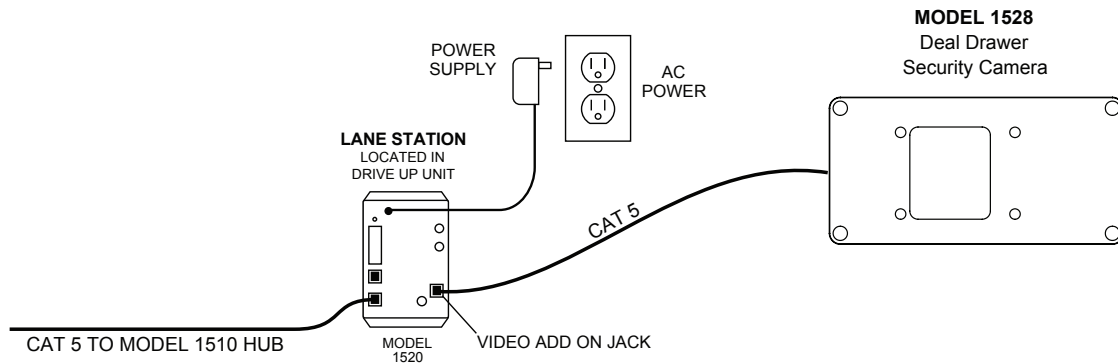


Security Camera Installation Guide

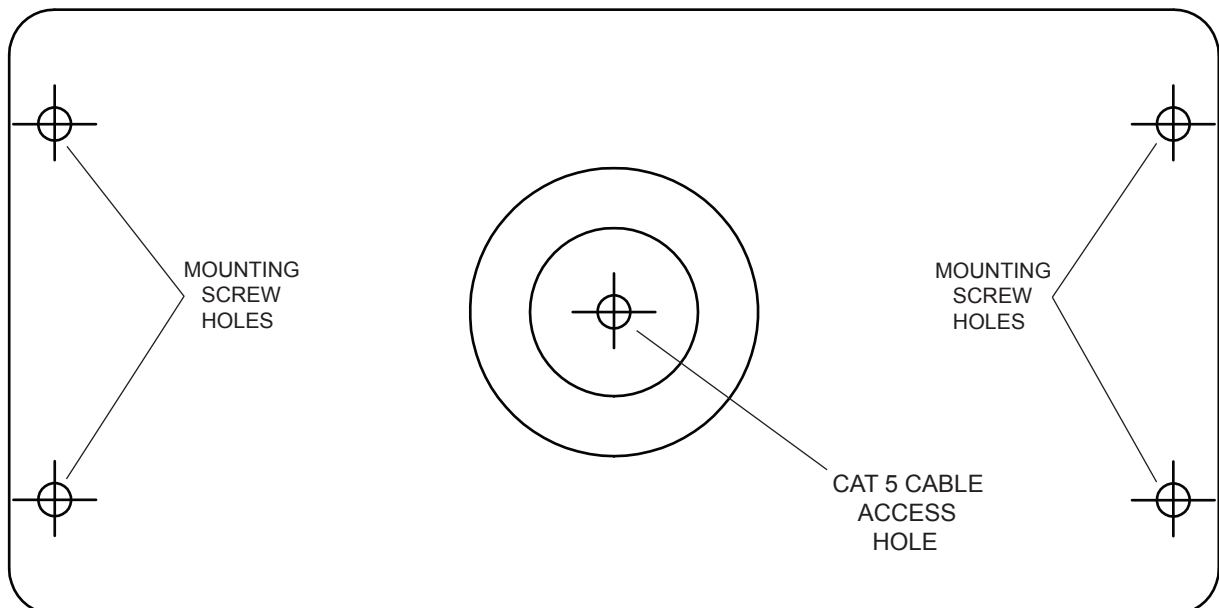
Installing the Model 1528 Security Camera

The 1528 is primarily designed to be a Deal Drawer security camera assembly. It contains an 804-039P security camera and requires connection to a Model 1520 Lane Station. It may be mounted above the deal drawer or in other locations where in-bound video is required.



Installation

1. Mark the mounting surface using the included template and drill pilot holes. Drill a 9/16" hole for the Cat 5 cable access.
2. Loosen four screws to open the front panel. Run the CAT 5 cable from rear of the 1528 camera assembly, through the hole made in Step 1, to the VIDEO ADD ON jack on the 1520.
3. Secure the unit to the mounting surface using the screws provided. Close the front panel noting camera orientation indicated by label inside the unit and tighten the four panel screws.



1528 Mounting Template

Audio Authority®

2048 Mercer Road, Lexington, Kentucky 40511-1071 USA
Phone: 859-233-4599 • Fax: 859-233-4510
Customer Toll-Free USA & Canada: 800-322-8346
www.audioauthority.com • support@audioauthority.com

752-673
20140416