

# Installation Guide

## ADX-0808 and ADX-1616 Audio Matrix Pre-amp Systems



Audio  Authority®

## Warnings

To reduce the risk of fire or electric shock, do not expose this unit to rain or moisture.



The exclamation point symbol alerts users to important operating and maintenance instructions in this booklet.

- Read this manual before installing or using this product.
- This product must be installed by qualified personnel.
- Do not open the cover—there are no user-serviceable parts inside.
- Do not expose this unit to excessive heat.
- Install only in dry, indoor locations.
- Do not obstruct the ventilation slots.
- Clean the unit only with a dry or slightly dampened soft cloth.



ADX TIPS

# Installation and Operation Guide

## ADX-0808 and ADX-1616

### Audio Matrix Pre-amp Systems

Firmware version 2.6.7

---

---

## Table of Contents

<i>Introduction</i> . . . . .	4
<i>Panel Descriptions</i> . . . . .	5
<i>Getting Started</i> . . . . .	6
<i>Installation</i> . . . . .	7
<i>Operation</i> . . . . .	8
<i>Configuration</i> . . . . .	10
<i>Using Ethernet, RS-232, and IR</i> . . . . .	12
<i>Appendix A: Upgrading ADX Firmware</i> . . . . .	14
<i>Appendix B: Troubleshooting</i> . . . . .	15
<i>Specifications</i> . . . . .	15

---

---



2048 Mercer Road, Lexington, Kentucky 40511-1071  
800-322-8346 • 859-233-4599 • Fax: 859-233-4510  
www.audioauthority.com • support@audioauthority.com

Audio Authority and the Double-A Symbol are registered trademarks of Audio Authority Corp.  
Copyright September, 2016, all rights reserved.

# INTRODUCTION

The ADX is an innovative analog audio matrix with advanced digital signal processing. The DSP features and multiple control interface options make it an excellent solution for audio distribution in residential and commercial applications. See [www.audioauthority.com/adx\\_tips](http://www.audioauthority.com/adx_tips) for more information.



## Key Features

- Sixteen source inputs/sixteen zone outputs (ADX-1616) or eight source inputs/eight zone outputs (ADX-0808)
- Advanced DSP features per zone output, including 10-band EQ, highpass filter, lowpass filter and tone controls
- Integrates seamlessly with third party control systems such as Control4, URC, RTI and others
- Discrete Ethernet, IR and RS-232 codes available for download - use with virtually any third party IR control system
- DB-25 quick-connect audio output to Audio Authority SonaFlex™ amplifiers
- Zone grouping (10 groups) and Source/Zone combination presets (10 source/zone combinations)
- Global source selection (all zones on to same source)
- Simple configuration using Setup Utility via Ethernet, serial or USB drive
- Rack ears included (2U)

## DSP Features

- Custom DSP settings per zone: 10-band Equalization (ZQ™), bass/treble, and more
- Lowpass and highpass filters, plus zone grouping provides a 2.1 audio configuration to each zone
- 10 global EQ presets which can be saved and recalled from any zone
- DSP settings can be updated on the fly using serial commands

## Control Interfaces

- Ethernet
- RS-232 Serial
- Front panel IR sensor
- Rear panel IR input (3.5 mm jack or 3-pin header)
- Front panel capacitive touch buttons and knob with LCD screen
- Android or iOS app

## Carton Contents

- Model ADX-1616 or ADX-0808 Pre-amp
- 18-volt power supply
- Rack ears
- User manual

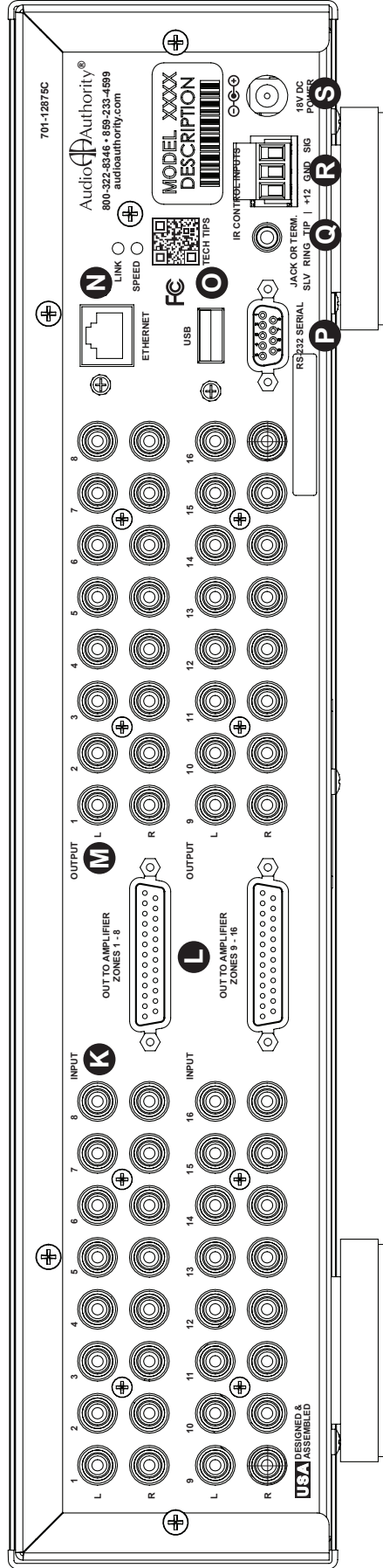
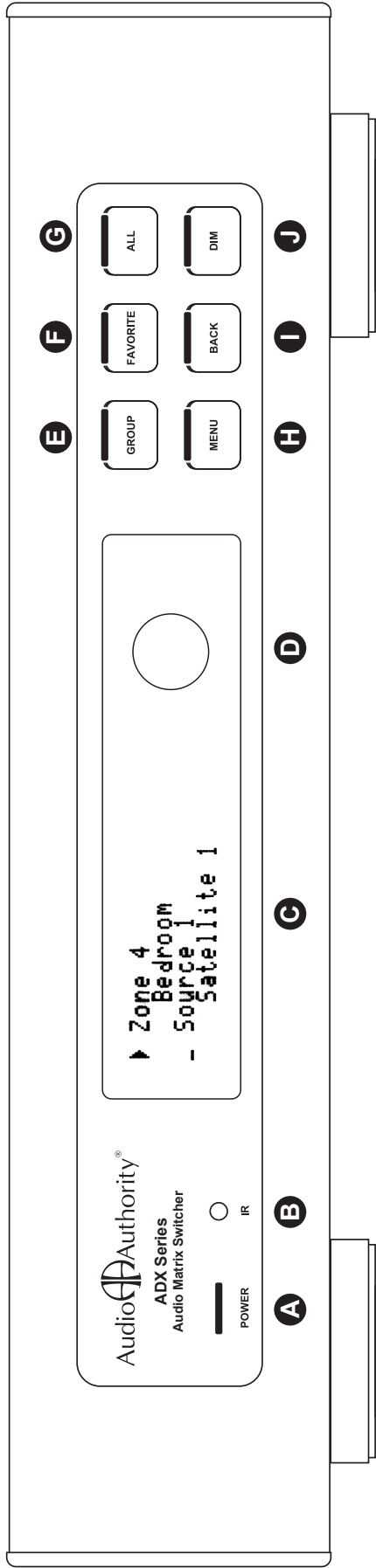
## Other Materials You May Need

- Patch cables (Ethernet, RS-232, RCA)
- Infrared sensors
- Third party programmable remote or touchscreen interface
- USB 1.1 or USB 2.0 compliant thumb drive

# PANEL DESCRIPTIONS

\*ADX-1616 shown

- A** Power Indication LED
- B** Front Panel IR Receiver
- C** Vacuum Fluorescent Display (VFD)
- D** Multi Function Knob
- E** Group Selection Button
- F** Favorite Selection Button
- G** All Selection Button
- H** Menu Selection Button
- I** Back Button
- J** Dim Button



- K** Analog Audio Input Jacks 1-16 for ADX-1616 or 1-8 for ADX-0808
- L** DB25 Audio Output to Audio Authority Amplifiers
- M** Analog Audio Output Jacks 1-16 for ADX-1616 or 1-8 for ADX-0808
- N** Ethernet Connector with Link and Speed Indicators
- O** USB Connector (For USB Flash Drive Programming Only)
- P** RS-232 DB9 Connector
- Q** 3.5MM IR Input Jack
- R** 3-Wire IR Input Terminal Block or Trigger
- S** 5.5MM 18V Center Positive Power Connection

## GETTING STARTED

- Confirm that nothing is missing from your shipping carton. Refer to Carton Contents on page 4.
- Record the serial number (found on the product rear panel) in the space provided on the inside front cover of this manual for easy reference.
- Activate your warranty and receive future upgrade notifications by registering your purchase at [www.audioauthority.com/register](http://www.audioauthority.com/register).
- Read this instruction manual to become familiar with the configurations and functions of this product.

Register Online



### Essential Steps

Although it is highly recommended that you follow the more detailed installation instructions provided in this manual, a very basic installation may be accomplished by performing the following steps:

1. Connect source equipment to the input jacks. (Detailed instructions located in the Installation Section.)
2. Connect ADX zone output jacks to a multi-channel amplifier OR alternatively, connect the DB-25 audio output to an Audio Authority SonaFlex multi-channel amplifier. (Detailed instructions located in the Installation Section.)
3. Connect the ADX's power supply to a suitable AC outlet using ONLY the furnished power supply. After a moment, the ADX boots up and is ready to perform switching. Use the front panel controls to select the preferred source input and the zone output number(s) of your preferred listening zones.

### Choosing a Control Interface

The chart below provides an overview of the different range of capabilities when using each control method. For more detailed instructions on the various control methods available, please refer to the following sections:

- Front Panel Controls, *see page 8*
- RS-232 (serial), *see page 12*
- Ethernet, *see page 12*
- IR, *see page 13*
- Android or iOS app



### Control Interface Capabilities

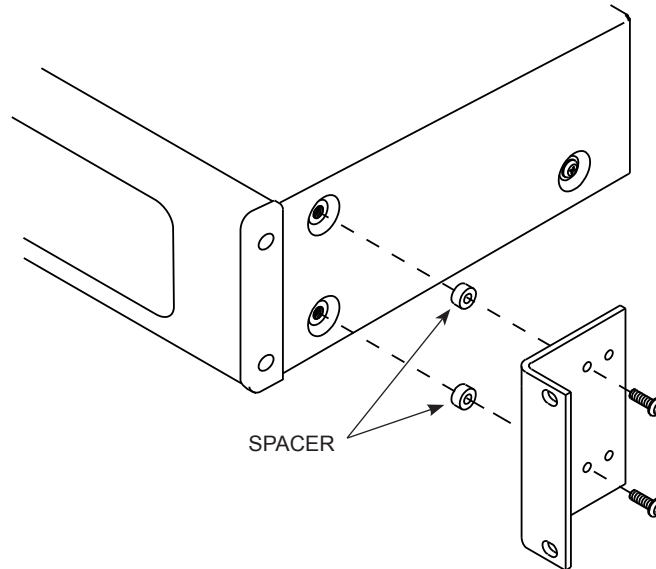
All commands are available on Ethernet and RS-232, but other control methods are limited as shown.

**Note:** *The Setup Utility is not suitable as a day-to-day control interface. Use the app for Android or iOS devices for stand-alone applications.*

	RS-232	Ethernet	App	Infrared	Front Panel
Audio signal switching	X	X	X	X	X
Dimming	X	X	X		X
Lock IR	X	X	X		
Lock front panel interface	X	X	X		
Change Ethernet settings	X	X	X		
Upgrade firmware					X
Group and Favorite creation	X	X	X		
Group and Favorite switching	X	X	X	X	X

## INSTALLATION

The ADX is designed so that it may be installed either on a shelf or in a standard 19-inch equipment rack. If rack mounting, remove the feet and the cover screws adjacent to the front panel of the unit. Reuse the cover screws to mount the Model 1192A rack adapters supplied with the ADX. Be sure to place a spacer under the adapters at every screw location. Secure the ADX to the rails of the equipment rack with the screws supplied with the rack adapter kit.



### Initial Audio Setup

Independently test each component to be connected to the ADX prior to system assembly. This will reduce troubleshooting measures later. Verify basic ADX functionality by performing the following steps:

1. Connect one audio source to a pair of ADX input jacks.
2. Connect one pair of ADX zone output jacks to an audio amplifier and speakers.
3. Use high quality cable and keep the lengths as short as possible.
4. Turn on the source, amplifier and the ADX for an initial test. Verify that the audio pathway is performing acceptably by selecting the appropriate source input and zone output from the front panel (detailed instructions for **Front Panel** operation can be found on page 8). You should now hear the source material being played. If you do not, please refer to the **Troubleshooting** section found on page 15. If you are still experiencing difficulty, please contact Technical Support by phone at 859-233-4599 or toll free in the US at 800-322-8346.
5. Connect and test remaining sources and amplifiers in the same way.
6. If no problems have been noted, remove power and continue installation.

### Input and Output Connections and Testing

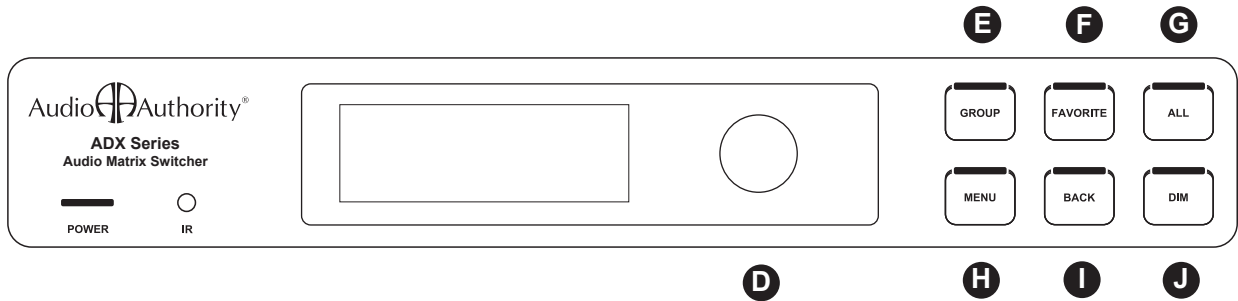
- Determine the wiring configuration for your setup. Label the RCA cables by the connected device (e.g. Input 1 - Cable Box, Input 2 - Music Server, Zone 1 - Kitchen, Zone - 2 Living Rm etc.).
- Connect the power supply - the ADX will immediately power on (there is no power switch), but default settings mute all outputs.
- Apply power to all sources and associated equipment. Use the front panel controls to un-mute, adjust volume and verify audio signal integrity of sources at each zone location.

# OPERATION

## Front Panel

The front panel is operated by using six touch sensitive keys: Group **E**, Favorite **F**, All **G**, Menu **H**, Back **I**, and Dim **J** and a Multi-Function Knob **D**.

**Multi-Function Knob Operation:** Used to navigate through all menu items, the multi-function knob can scroll (clockwise or counterclockwise) and select or de-select (press in). The open arrow symbol is displayed when scrolling through menu items. Once an item has been selected (by pressing in the knob), the arrow will fill in. Next, turn the knob to adjust the value. Finally, press in the knob again to de-select the menu item and scroll to the next item that needs to be adjusted.



### Zone/Source Selection Screen

This default screen performs zone and source switching via the Multi-Function Knob **D**.

### Group Button > Group Selection Screen **E**

This screen displays all configured groups and allows for group source selection. To learn more about zone groups and defining zone groups, see *the ADX Setup Utility manual, page 10*.

**About Groups:** The ADX is capable of storing up to 10 Groups. Each group may be assigned a name up to 16 characters long. Groups can only be created using the ADX Setup Utility or serial commands (see *website*).

### Favorite Button > Favorite Selection Screen **F**

This screen displays all configured favorites. To learn more about defining favorites, see *the ADX Setup Utility Manual, page 11*. To select a favorite, rotate the knob until the desired favorite is listed, then press in the knob to activate it.

**About Favorites:** Favorites are unique zone and source combinations, or audio “scenes” such as party, dinner, game night, etc. Favorites allow the end user to recall these audio scenes with a remote or touchscreen control. The ADX is capable of storing up to 10 Favorites. Each Favorite may be assigned a unique name up to 16 characters in length. Favorites can only be configured and named using the ADX Setup Utility or with serial commands (see *website*).

### All Button > All Selection Screen **G**

This screen allows switching all output zones to a single source.

### Menu Button > Menu Screen **H**

Press the Menu Button to access the following sub-menus: Volume, Equalizer, Tone/Lowpass, Balance, Network Settings, Export File, Import File, Front Panel IR, Display Settings, Firmware Versions, Firmware Update, Factory Default.

### Back Button **I**

Press this button to return to the previous screen. Press the back button repeatedly to return to the default Zone/Source screen.

### Dim Button **J**

This button toggles through four predefined brightness levels for the VFD and panel LED indicators. After a set period of time (adjustable using the front panel or in the ADX Setup Utility), the VFD will enter a screen saver mode and turn off. The power and button LED's will remain on at a very low level to show that the unit is receiving power. Any key press or knob adjustment returns the VFD and LED indicators to the last selected brightness level.



## Volume

Adjusts the volume level (measured in dB) for each zone output. Displays real-time zone output level meters and source selection. Scroll past -80db to mute. Scroll past 0 db to set a zone output to “fixed.”

```
Zone Volume dB Src^
▶ 5 [=====] -9 1L
SR [=====] -9 1R
[=====]
```

## Equalizer (ZQ Mode and EQ Preset Mode)

Use to switch between ZQ Mode (10-band zone EQ) or EQ Preset Mode (10 Global EQ presets assignable to any zone). Both ZQ and EQ Preset Modes allow for adjustment of all 10 bands of equalization. EQ can be bypassed by selecting “EQ Disabled”. All ten frequencies are reset to flat, but returning to either EQ mode recalls the last settings.

```
▶ Zone 5 Kitchen
- ZQ
- 32 Hz +2 dB
- 64 Hz +1 dB ▼
```

## Tone/Lowpass/Highpass

Use to switch between Tone Mode, Lowpass Mode or Highpass Mode. Tone Mode allows for adjustment of bass and treble levels. Lowpass/Highpass Mode applies a Butterworth filter and allows for adjustment of the crossover frequency of a zone’s lowpass or highpass filter. Lowpass mode is used to assign a zone output to a dedicated subwoofer and highpass mode to assign a zone output to dedicated architectural speakers.

Additionally, a lowpass zone output can be grouped together with a highpass zone output (using ADX Setup Utility) for a 2.1 audio “zone”. Tone and Lowpass/Highpass filters can be bypassed by selecting “Tone/LP/HP Disabled”. See page 6 in the ADX Setup Utility Manual for more information on setting up a 2.1 zone.

```
- Zone 1 Living Rm
- High-pass Mode
▶ Cutoff Freq 196_Hz
[=====]
```

```
- Zone 2 Living Rm s
- Low-pass Mode
▶ Cutoff Freq 196_Hz
[=====]
```

## Balance

Use to adjust the Left/Right stereo balance (measured in db) for a zone output. Also displays real-time Left/Right balance level meters.

```
Zone 5 Kitchen
[=====]
▶ Balance +21 dB R
[=====]
```

## Network Settings

Displays the current network settings of the ADX. See page 13 for more information on Network Settings.

```
Network Settings
DHCP ON - NO LINK
IP 0.0.0.0
NM 0.0.0.0 ▼
```

## Export Configuration File

With a USB 1.1 or USB 2.0 thumb drive connected to the USB port on the rear panel of the ADX, follow the on screen instructions to export to the default file name, “config.adx”. If the file is already present, you will be prompted to overwrite it.

*Important Note – The USB port is v1.1 and v2.0 compatible. There is a small delay when inserting a USB drive in order to identify the device and mount the file system. Although many different drives were tested successfully with the system, not all USB drives will work with the ADX. Tested file systems include FAT and FAT32.*

```
Export Configuration
Push knob to export
to file config.adx.
```

## Import Configuration File

This selection imports the configuration settings from a text file on a USB drive. Simply follow the on screen instructions to select the file to import, which must have the “\*.adx” format. Once the file has been selected, the fourth line of the screen displays the commands as they are read from the file and a serial/telnet connection details the commands read and their execution status.

```
Import Configuration
Push to view root
directory files.
```

## Front Panel IR

This screen allows the front panel IR receiver to be turned on or off. Factory default is off.

```
Front Panel IR
Receiver Off
> Press knob to
toggle.
```

## Rear Panel Wired IR / Trigger

The wired IR/Trigger mode, time, and voltage level can be set up by using the ADX menu or by serial commands (see [audio authority.com/page/adx\\_tips\\_for\\_details](http://audio.authority.com/page/adx_tips_for_details)).

## Display Settings

Shows current settings for the front panel display: Sleep timer (screen timeout) and display brightness. The sleep timer can be set to 5, 2 and 1 minute(s) or Disabled. Brightness can be set to 25%, 50%, 75% or 100%.

```
Display Settings
  ▶ Sleep Timer
    Five Minutes
  - Brightness 50%
```

## Firmware Versions

Displays the firmware versions of the primary firmware and the boot-loader.

```
> Update Firmware
Firmware..: 2.6.7
Bootloader: 2.0.0
```

## Firmware Update

Use to load firmware updates to the ADX using a USB drive. Follow on-screen instructions and/or the text file instructions included with online firmware updates.

```
> ADX_V267.519
```

## Factory Defaults

Use to restore all ADX settings to factory default. Follow on-screen instructions.

```
Factory Defaults
> Restore to default
```

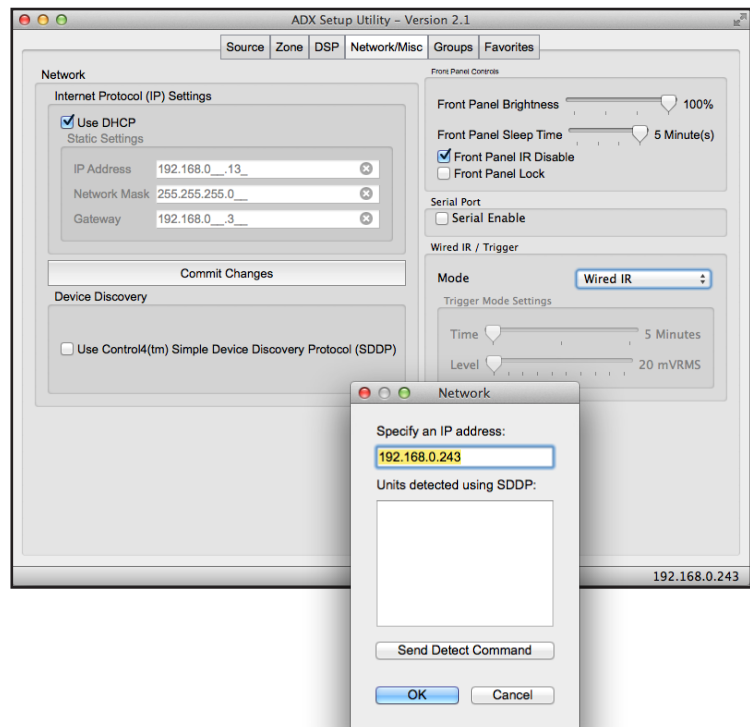
## Setup Utility

The ADX Setup Utility is the easiest way to perform advanced setup tasks. Most of these tasks may also be accomplished using serial or Ethernet commands. Some of these settings are available via the ADX front panel controls (see page 8). For complete setup instructions and information, download the ADX Setup Utility manual from the website. The following is a sample of the Setup Utility:



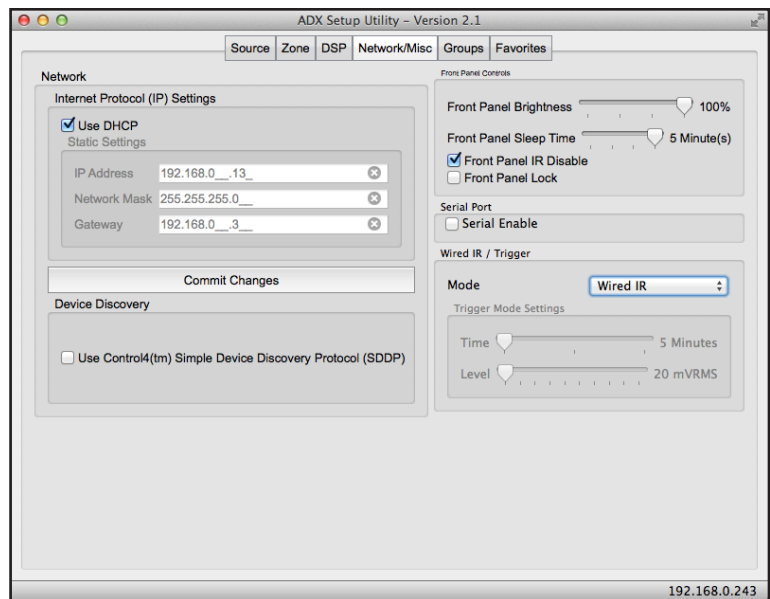
## Initial Setup

- Select Programming Mode:** Select the mode you will be using for your ADX configuration. There are three options:
  - File Mode - (default) requires a USB drive to save and transfer the setup file to the ADX via the back panel USB jack.
  - Serial Mode - requires a direct serial port connection. See the table and diagram on page 12 for the ADX serial port pinout.
  - Ethernet Mode - requires a connection via a network or a direct Ethernet connection.
- Create A New ADX Configuration:** If you are setting up a new ADX, start with the blank configuration file.
- Modify An Existing Configuration:** If you are modifying an existing setup, load the current setup file.



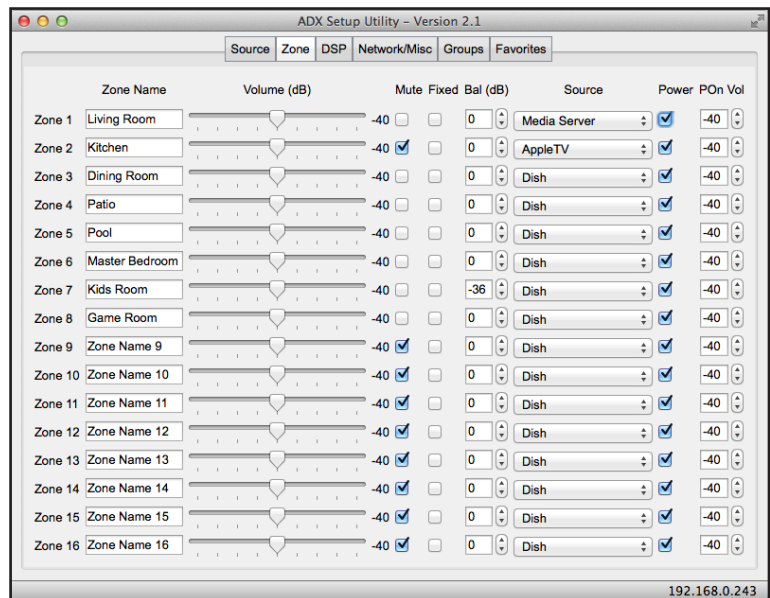
## Network Tab

This tab allows you to adjust Network settings (Enable DHCP, IP Address, Network Mask & Gateway), Lockouts (Front Panel Buttons & Front Panel IR), Front panel display brightness, and IR/Trigger mode.



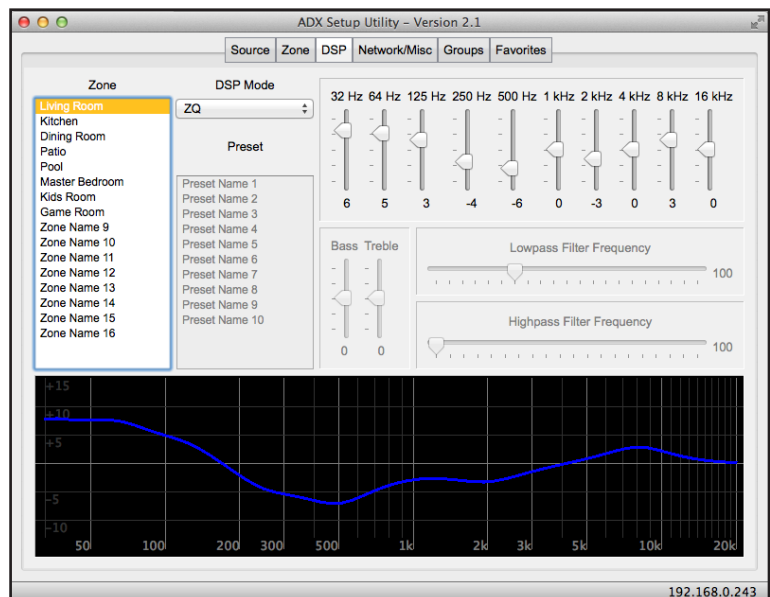
## Zone Tab

Name zones, set volume levels, mute outputs, set fixed outputs, balance, and set Power On volume levels.



## DSP Tab

The Digital Signal Processing tab has five DSP modes available, to be used individually and/or as a multi-band EQ. DSP modes include ZQ, tone, presets, highpass, and lowpass.



For more information download the ADX Setup Utility Manual at [www.audioauthority.com](http://www.audioauthority.com).

## USING SERIAL AND ETHERNET

Follow the instructions for your Control4, RTI, URC, or other controller to connect to the ADX using the serial settings below, or Ethernet settings accessible via the ADX front panel menu. (A file containing the ADX serial and ethernet commands can be downloaded from the Audio Authority website, [audioauthority.com/adx\\_tips](http://audioauthority.com/adx_tips)).


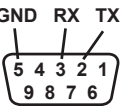


- At idle, the ADX checks for received serial or telnet data every 200 ms. Once data has been received, it checks every 1 ms to handle rapid groups of commands and macros. After 100 ms of inactivity, it returns to checking at intervals of 200 ms.
- The ADX telnet server allows two clients to be connected at one time. Each client connection has a time out of 15 minutes; if a client crashes and does not close the connection properly (sending an EOF) that connection remains busy until it times out.

### Connecting to the ADX RS-232 Port

System controllers and PCs can send all setup and control commands as well as receive feedback via the RS-232 serial port.

- Important: If a PC is connected directly to the ADX RS-232 port, use a *standard* serial cable.
- Communication Settings: baud rate is 9600 bps, 8 data bits, no parity, 1 stop bit, and no flow control.
- See the table and diagram below for the ADX serial port pinout.

DB-9 connector  on rear panel of ADX.			<b>Transfer Rate</b>	9600 bps
			<b>Data Bits</b>	8
			<b>Parity</b>	None
			<b>Stop Bits</b>	1
<b>DB9 Pin out</b> (Standard cable)	Pin 2, Tx		<b>Flow Control</b>	None or Off
	Pin 3, Rx		<b>Character type</b>	ASCII
	Pin 5, Ground		<b>Connector</b>	DB-9
	Shell, Ground		<b>Electrical Rating</b>	Pins 2 and 3, ±15 VDC

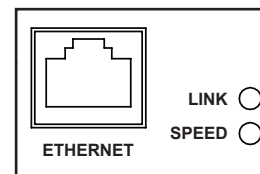
### Using a Computer via Ethernet

To use a PC or Mac with the ADX, use a telnet client or terminal program to send commands (listed in Appendix A) through the Ethernet port on the ADX. Connect a computer directly to the Ethernet port using a crossover cable, or alternatively use a standard Ethernet hub or switch and a standard patch cable. Once connected to a computer or network, the ADX by default attempts to obtain an IP address automatically using DHCP. To use static settings, *see the detailed instructions on page 13*.

There are two LED indicators located next to the Ethernet port on the rear panel that help to identify connection issues:

**Link** - The Link LED is steadily lit if a connection is detected and flashes when activity is present.

**Speed** - The Speed LED is off for 10 base T, and on for 100 base T.



### DHCP

DHCP is enabled on the ADX by default. If DHCP is enabled on your network, simply connecting the ADX to the network with an existing DHCP server enables it to obtain all necessary information.

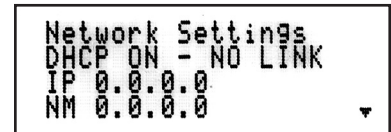
## Static Addressing Connected Directly to a PC

The ADX must be given an IP address which will not conflict with the PC. Go to the network settings (which are found in control panel -> network -> local connection properties of a PC running Windows).

Change the TCP/IP protocol properties, and set the IP address, gateway, and subnet mask, if they are not already set. This can be arbitrarily done on a direct connection, but a good choice for the settings would be IP address of **192.168.0.1**, subnet mask of **255.255.255.0**, and an empty default gateway. Once these values have been set, use serial commands to set the network settings of the ADX in a similar manner, but use a different IP address than that of the computer (for example, 192.168.0.2).

## ! Static Addressing on a Network

The ADX must be set to the same settings as the PC except for the IP address, which must not conflict with anything else on the network. To determine this in Windows, use the DOS prompt (Start->Run->cmd) commands ipconfig and ping. Ipconfig lists the PC's settings, and ping tests addresses to make sure that nothing else on the network has that address. Enlist the help of a network administrator if you are unfamiliar with setting up a network connection.



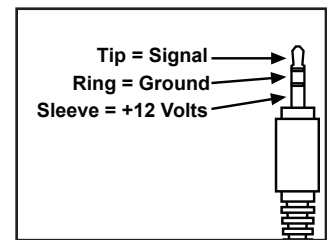
ADX screen image showing Network Settings with DHCP set to ON, with no link established.

Once a connection is established, a telnet program such as Hyper Terminal, Teraterm, PuTTY etc, must be used to connect to the device. Enter the IP address of the ADX and leave the default port (23) to connect. Once connected, standard serial commands can be issued in an identical manner to serial control.

## USING AN IR CONTROL SYSTEM

The ADX uses a three wire IR circuit. It is imperative that the correct polarity be maintained when connecting third party IR equipment. The 3.5mm pinout is shown here and the connecting block pinout is screen printed on the back panel of the ADX. Patch the IR signal from your IR receiver directly to the IR input port on the rear panel using the connection method of your choice. Alternatively, adhere an IR emitter from your infrared system onto the ADX front panel IR sensor.

If the ADX IR codes are available from your remote control company, download and/or activate those files. A CCF file containing the latest codes can be downloaded from the Audio Authority website, [audioauthority.com/page/ir](http://audioauthority.com/page/ir).



3.5mm IR Pinout

## ! Tips for Using Infrared Control

- If you are using standard hand-held IR remote controls, ensure correct operation by avoiding sources of light pollution such as Plasma and LCD TVs, direct sunlight, fluorescent light, etc. Experiment with the physical placement of the IR sensor to avoid interference.
- If a source of interference cannot be eliminated or avoided, use IR sensors that block that type of interference, such as Plasma-proof or LCD-proof sensors.

In addition to basic IR commands, discrete IR commands are now included such as:

- Connecting a zone to a source
- Mute on/off and mute toggle a zone
- Volume up/down in a zone
- Balance left/right/center in a zone
- Bass up/down/flat in a zone
- Treble up/down/flat in a zone
- Connecting a group to a source
- Group volume up/down
- Group mute on/off/toggle

## Appendix A: Firmware Update Procedures

The latest version of firmware is available for download from [audioauthority.com/page/firmware](http://audioauthority.com/page/firmware).

### To update version 1.2.0 and later to the latest version:

1. Copy the firmware file (e.g. "adx\_v267") onto a USB drive.
2. Insert the drive in the USB port on the rear panel of the ADX.
3. Press the menu key and navigate the firmware update menu item.
4. Follow the prompts and select the firmware file.
5. After a short delay the ADX reboots and performs the firmware update.
6. Once the update has finished, the ADX reboots and resumes operation with the new firmware version.

```
Firmware Update
No files found on
the USB drive. Push
to go back.
```

If you see this screen, make sure the firmware file is named correctly and is on the root level of the USB drive.

### To update version 1.0.1b and earlier to the latest version:

1. Copy the firmware file (e.g. "adx\_v267") onto a USB drive.
2. Insert the drive in the USB port on the rear panel of the ADX. Cycle ADX power.
3. During boot up, the front panel displays "Push knob for firmware update." Press the front panel knob.
4. Follow the prompts to update the system card firmware and reboot the ADX.

```
> Update Firmware
Firmware.: 2.6.7
Bootloader: 2.0.0
```

Push to select the firmware file.

## Limited Warranty

If this product fails due to defects in materials or workmanship within one year from the date of the original sale to the end-user, Audio Authority® guarantees that we will replace the defective product at no cost. Freight charges for the replacement unit will be paid by Audio Authority (Ground service only). A copy of the invoice from an Authorized Reseller showing the item number and date of purchase (proof-of-purchase) must be submitted with the defective unit to constitute a valid in-warranty claim.

Units that fail after the warranty period has expired may be returned to the factory for repair at a nominal charge, if not damaged beyond the point of repair. All freight charges for out-of-warranty returns for repair are the responsibility of the customer. Units returned for repair must have a Customer Return Authorization Number assigned by the factory.

This is a limited warranty and is not applicable for products which, in our opinion, have been damaged, altered, abused, misused, or improperly installed. Audio Authority makes no other warranties either expressed or implied, including limitation warranties as to merchantability or fitness for a particular purpose. Additionally, there are no allowances or credits available for service work or installation performed in the field by the end user.

ADX Serial Number \_\_\_\_\_

Date of Purchase / Installation \_\_\_\_\_

## Appendix B: Troubleshooting

Symptom	Possible Cause
No Power	<ul style="list-style-type: none"> <li>• Check for available AC power from wall outlet.</li> <li>• Check to make sure there is 18V available from the provided power supply. If not, reset the power supply (remove the power supply from the outlet and reconnect).</li> </ul>
No Audio	<ul style="list-style-type: none"> <li>• Check for proper operation of Source and Receiver or Amplifier.</li> <li>• Ensure cabling between the ADX and third party equipment is good and connected properly.</li> <li>• Ensure power is connected to the ADX.</li> <li>• Check volume levels at receiver and in ADX controls.</li> </ul>
No Ethernet Control	<ul style="list-style-type: none"> <li>• Refer to page 12 for controlling the ADX through Ethernet. If problems persist, contact your installer or network administrator for assistance.</li> </ul>
No RS232 Response	<ul style="list-style-type: none"> <li>• Make sure the Baud Rate matches between the ADX and the Serial Terminal program being used to issue commands. ADX Default = 9600.</li> <li>• Make sure Flow Control is turned off.</li> <li>• Check cable pinout for compatibility between AD and control equipment.</li> </ul>
No USB Response	<ul style="list-style-type: none"> <li>• Ensure the USB storage device you are using is USB 1.1 or USB 2.0 compliant.</li> <li>• Some USB storage devices may not be compatible with the ADX. If your device meets the standard requirements but will not function with the ADX, try using a different USB storage device.</li> </ul>
No IR Response	<ul style="list-style-type: none"> <li>• Check the menu to see if front panel IR sensor is enabled (it is disabled by default).</li> <li>• Ensure proper connection and operation of any external IR sensor.</li> </ul>

If you have applied the above troubleshooting suggestions and are still experiencing difficulties, contact Audio Authority Technical Support by phone at 859-233-4599 or toll free within the US at 800-322-8346. You can also email Technical Support at [support@audioauthority.com](mailto:support@audioauthority.com).



## Specifications

Analog/Digital	Analog, Stereo
Digital Input/Output Type	N/A
Input Impedance	100K
Min Load Impedance	10K
Multi-channel Digital	N/A
Frequency Response	10-25kHz
S/N Ratio	82dB
THD+Noise	0.02%
Crosstalk	-85dB
Agency Approvals	FCC
DC Input Connector	5.5 x 2.1mm
DC Input Voltage/Polarity	18V Center Positive
Max DC Input Current	600mA/1.1A
Power Supply	571-014/571-023
Heat Output	38/68 BTU/hr



ADX TIPS

# Audio Authority®

2048 Mercer Road, Lexington, Kentucky 40511-1071  
800-322-8346 • 859-233-4599 • Fax: 859-233-4510  
[www.audioauthority.com](http://www.audioauthority.com) • [support@audioauthority.com](mailto:support@audioauthority.com)

752-598 20161011