

Extend HDMI® Signals Over a Single Coax Cable



Use a Single RG-6 Coax Cable to Transmit 1080p HDMI Signals Including Lossless Audio

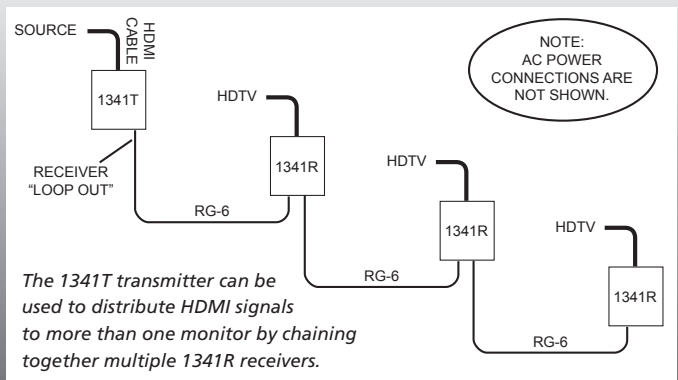
The HXE-11 Kit (1341T and 1341R) digitally transmits HDMI signals over a single RG-6 cable to achieve distances many times those possible using an HDMI cable. Excellent for retrofit or new construction, the HXE-11 system is an ideal extender offering high quality 1080p video with embedded multi-channel audio.

The 1341R receiver has a cascade output, allowing multiple video displays to receive HDMI signals from one source. Simply add more receivers and daisy-chain using BNC terminated RG-6 cable.

HXE-11 FEATURES:

- Plug and play – no complex setup or programming
- Quick synchronization means maximum up-time
- Requires only one BNC-terminated RG-6 coax cable
- HXE-11 kit includes one 1341T Transmitter and one 1341R Receiver, also available separately
- Up to 200 ft. cable length using RG-6 with 1080p and lossless audio
- HDMI version 1.3 and HDCP compliant
- Supports 1080p, 1080i and 720p video
- Supports Lossless bitstream audio (Dolby TrueHD, DTS-HD: Master Audio, Multichannel LPCM)

Cascaded System for Multiple TVs



SPECIFICATIONS:

1341T Transmitter	1x via HDMI connector – HDMI input
1341R Receiver	1x via HDMI connector – HDMI output
Transmitter Coaxial Connections	1x via BNC connector – coaxial output
Receiver Coaxial Connections	1x via BNC connector – coaxial input
	1x via BNC connector – coaxial cascade
Minimum resolution	720p
Maximum resolution	1080p (1920x1200, 1080p/60Hz)
HDMI TMDS clock speed	225MHz
HDMI Data bit rate	2.25Gbps
Maximum RG-6 cable length	200 ft. (90m) with 1080p / lossless audio
Digital Audio	Multi-channel, lossless audio formats

Operating Temperature	0° to +50° C (+32° to +122° F)
Operating Humidity	10% to 90%, Non-condensing
Storage Temperature	-10° to +70° C (12° to +158° F)
Storage Humidity	10% to 90%, non-condensing
Extender Regulatory Approvals	HDMI, HDCP, RoHS
Power Supply	UL, CUL, CE, PSE, GS, RoHS
Coaxial Cable Requirements	High quality RG-6 (See manual for details)
Dimensions: H-W-D inches (mm)	1.1 x 3.9 x 3.65 (28x100x93mm)
Power Adapter	5 VDC@2A
User Manual	Printed, 12 pages
Limited Warranty	1 year parts and labor