



HLX™ SERIES MODULAR MATRIX SYSTEM

The Ideal A-V Solution for Bars, Restaurants and Clubs



- Up to 12 HD video and audio source inputs
- Four additional audio-only* source inputs
- Capacity for up to 96 A-V or audio outputs
- Cat 5 outputs extend video to 1,000 ft.
- Ethernet, serial or IR control options
- Two-way Control4 and RTI drivers

Reliable HD Matrix Signal Switching

The HLX Series is a matrix platform that manages video and audio signals in homes, offices, restaurants, bars, casinos and health clubs. Built on Audio Authority's innovative balanced line architecture, along with our Active Gain Equalization (AGE) technology, the HLX transmits HD signals up to 1,000 feet over Cat 5e/6 cables while preserving high definition signal clarity and vibrancy, with no compatibility problems or handshake headaches. Equally fit for audio-only systems, the HLX offers advanced DSP features for individual stereo outputs.

HLX Modular Architecture

The flexible card-and-cage design with an ultra-high bandwidth backplane supports up to 16 source devices*. A-V input cards accept video and audio, and provide an IR output for control signals from the zones. The Cat 5 output card incorporates all A-V signals plus discrete IR inputs and outputs. The audio output card offers advanced DSP features per stereo output, and a DB-25 connection for the SonaFlex™ 16-channel digital amplifier. Other cards include an input card for security cameras, and a local output card for direct RCA connections. Design your HLX on-line: www.audioauthority.com/hlx-config.

Features:

- Long distance HDTV signal distribution via Cat 5 cables
- Three Cat 5 zone receiver options to match any installation scenario (sold separately)
- Analog audio zone cards offer advanced digital signal processing such as 10-band EQ, volume, mute, and balance
- Breakaway switching - switch video and audio independently (see audioauthority.com/hlx-breakaway)
- Input/output capacity up to 8x96, 12x88, and 16x80*
- Integrated 2-way IR routing system
- PC or Mac Setup Utility and firmware updates via USB
- Open control architecture accepts serial commands from any automation system
- Heavy duty, integrated power supply



* 16 sources are possible when slot 4 is occupied by an audio-only input card. Video sources are limited to 12.

Designing your System

It's easy to design your HLX using the online configurator: www.audioauthority.com/hlx-config. The configurator lets you choose the appropriate card for each slot, and provides a running total of inputs, outputs, and Cat 5 receivers required. You see a real-time image of the back panel that you can use in proposals and drawings. An MSRP running total is provided, and you can send the configuration number to your Account Manager to get an accurate dealer price for your custom HLX.



Configure



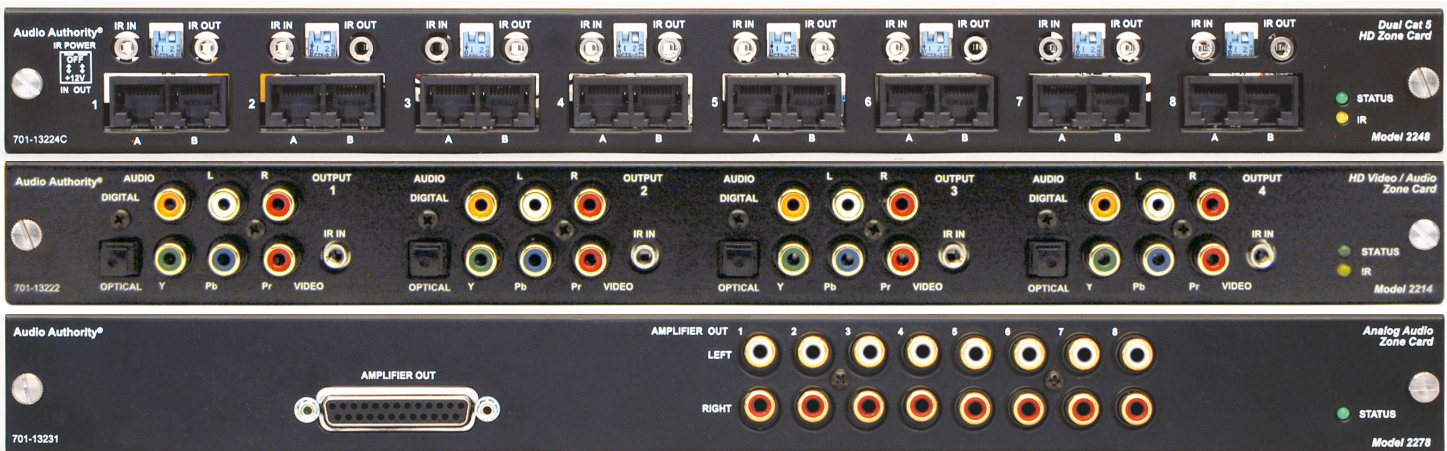
INPUT CARDS:

- **HD Video/Audio Source Card** Model 2114: component video, stereo analog audio, digital coaxial audio, digital optical audio, and IR out jacks. Four sources per card.
- **Video/Audio Source Card** Model 2124: Composite video (BNC and RCA), S-video, stereo analog audio, digital coaxial audio, digital optical audio, and IR out jacks. Four sources per card.
- **Analog Audio Source Card** Model 2174: Analog audio (left and right), and IR out jacks. Four sources per card.
Note: IR is not available when used in the Fourth HLX slot.



OUTPUT CARDS:

- **Dual Cat 5 HD Zone Card** Model 2248: Dual Cat 5 outputs for zone receivers carrying component video, stereo analog audio, digital coaxial audio, digital optical audio, and IR signals. IR injection jacks for incoming and outgoing control signals. Eight zones per card.
- **HD Video/Audio Zone Card** Model 2214: component video, stereo analog audio (with DSP), digital coaxial audio, digital optical audio, and IR in jacks. Four zones per card.
- **Analog Audio Zone Card** Model 2278: stereo analog audio (with DSP) via RCA jacks or DB25 quick connect for Audio Authority amplifiers. Eight zones per card.

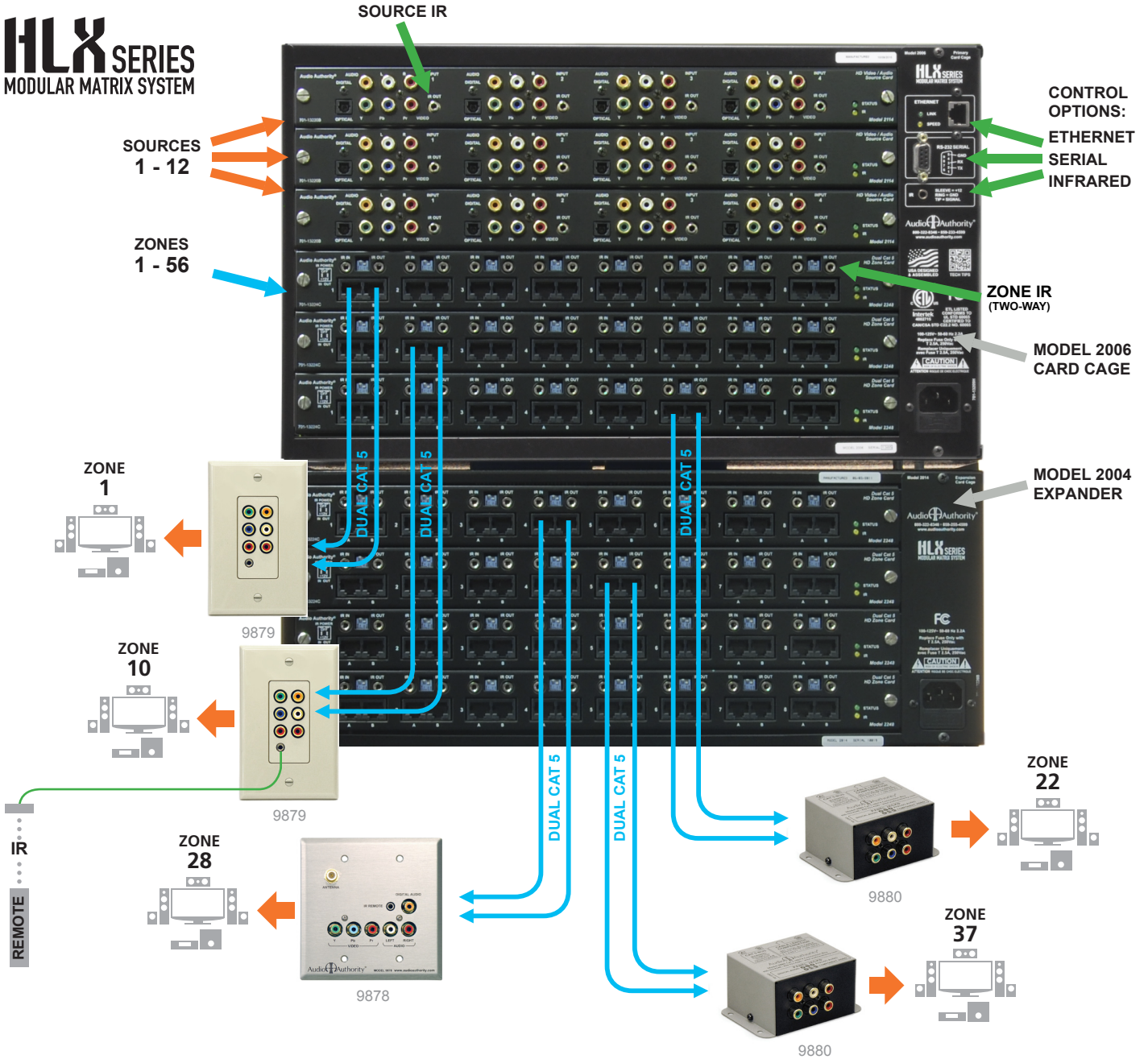


Application Example #1: 12x56 Video Matrix with IR Source Control

The system below is a configuration for a large residential installation. Twelve component video sources, (cable DVR, satellite receiver, internet streaming device, etc), may be connected to the inputs. The dual-Cat 5* outputs deliver HD video up to 1,000 feet to 56 TVs or projectors. Each Cat 5 receiver also delivers audio, so a separate sound system may be installed at each zone. For centralized audio, see *Application Example #2*.

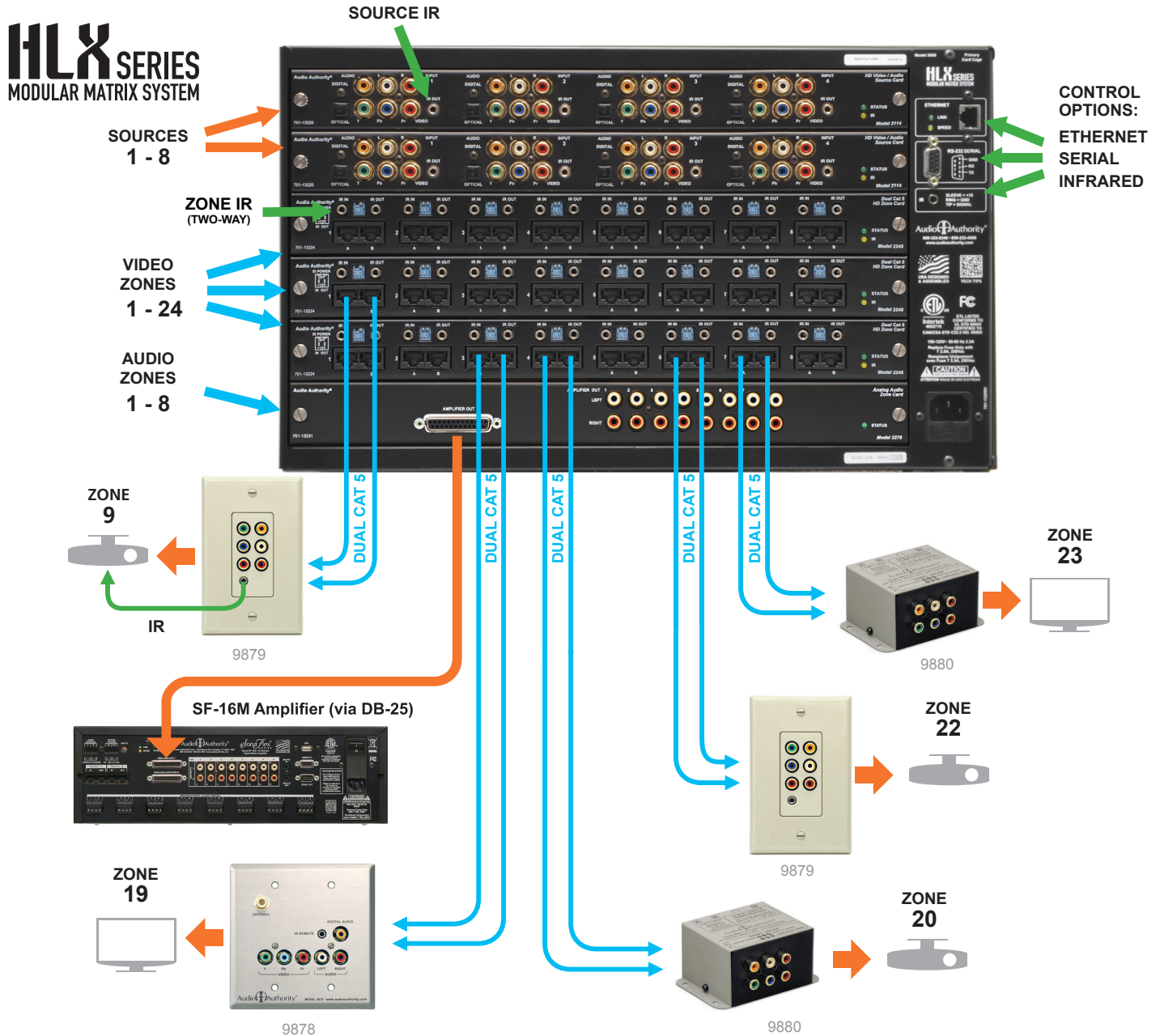
IR Integration

The HLX is equipped with integral IR pathways for controlling sources and/or TVs via Cat 5. These pathways can be used in different ways, but in zone 2, shown below, an IR remote can control sources in the rack. To accomplish this, an IR sensor must be connected to the zone receiver, and an IR emitter connected from each HLX source connection to the source IR input.



Application Example #2: Sports Bar or Night Club

This is a typical configuration for a restaurant, bar, health club, night club, or doctor's office application. Eight component video sources to 24 TVs or projectors. The dual Cat 5 pathway may be used for control signals, (either incoming or outgoing) in this case a third party IR controller is used to turn on TVs and projectors. The audio card breaks out stereo audio to eight stereo zones with volume control and EQ. The DB-25 port is perfect for connecting our SF-16M amplifier.



SPECIFICATIONS:

Video Signal Type: YPbPr component video
 Video Formats: 480i/p, 540i/p, 720p, 1080i/p
 Video Input/Output Impedance: 75 ohms
 Video Input Ground Isolation: No
 Video Gain: 1
 Video Gain Accuracy: ±2.00%
 Video 3dB Bandwidth: 100MHz
 Video Input Coupling: AC
 Video S/N Ratio: 70dB
 Max Video Gain/Equalization40dB equalization
 Analog Audio: Left and Right stereo

Digital Audio: Multi-channel digital
 Digital Input/Output. Optical & coaxial in/out
 Audio Input Impedance: 75 ohms/ 50K ohms
 Audio Frequency Response 10-50KHz
 Audio S/N Ratio 60dB
 Audio THD & Noise 0.05%
 Size 2006 Card Cage (H x W x D): 10.25" x 19" x 8"
 Size 2014 Expander (H x W x D): 6.75" x 19" x 8"
 Power Requirement 100-125VAC, 50-60Hz, 2.0A
 Warranty: One year, parts and labor
 Agency Approvals ETL, FCC